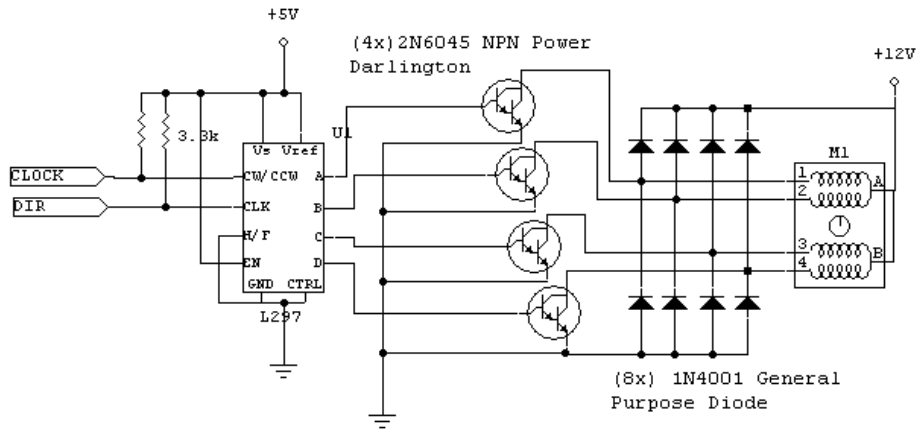


Stepper Motor Interface

from mechatronics wiki

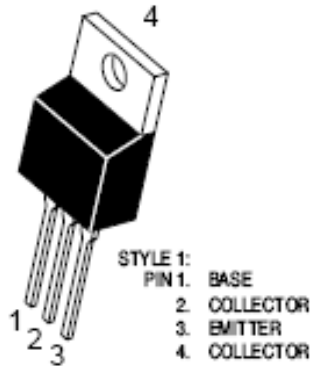
http://hades.mech.northwestern.edu/wiki/index.php/Unipolar_Stepper_Motor_Driver_Circuit



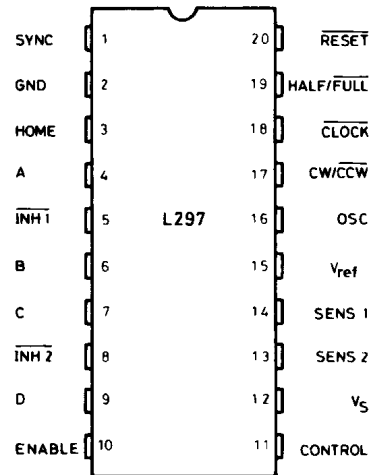
Depending on required motor winding current and power supply voltage, a current-limiting resistor can be placed in series with the supply before connections to the circuit. Be sure it can carry the current.



1N4001: Qt'y 8
\$0.30 (Digikey)



2N6045: Qt'y 4
\$1 (Digikey)



L297
\$9.70 (Digikey)



Size: NEMA 23
57BYGH207
\$15.95 (<http://www.web-tronics.com>)



Power supply: 12 V, 8.5A
PS1-100W-SF12
\$24.90 (<http://www.web-tronics.com>)